

FIG 1

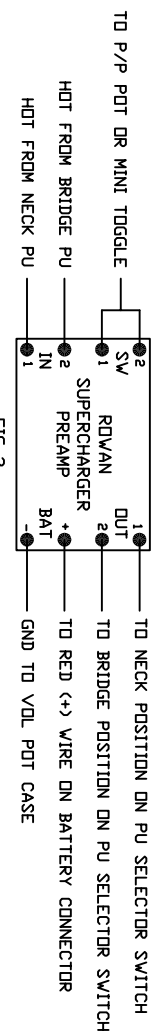


FIG 2

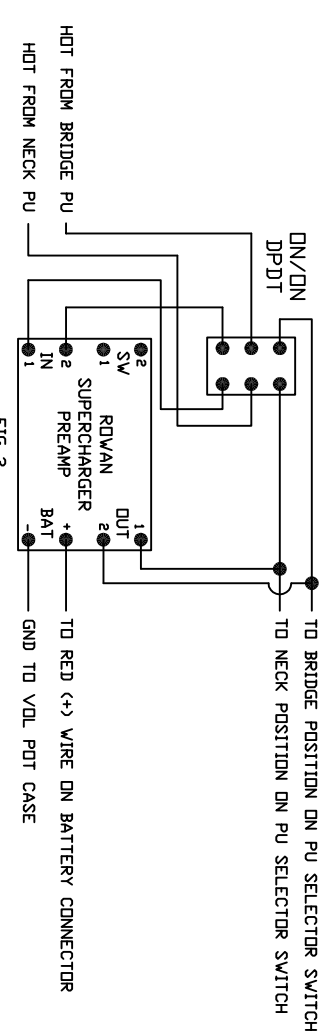


FIG 3

FIGURE ONE SHOWS THE WIRE CONNECTIONS REQUIRED WHEN USING TWO P/P POTS ALLOWING EITHER THE NECK OR BRIDGE PICKUPS TO BE TAPPED INDIVIDUALLY. THIS CONFIGURATION PROVIDES THE GREATEST NUMBER OF TONAL POSSIBILITIES.

FIGURE TWO SHOWS THE WIRE CONNECTIONS REQUIRED WHEN USING ONE P/P POT TO TAP BOTH THE NECK AND BRIDGE PICKUPS SIMULTANEOUSLY.

FIGURE THREE SHOWS THE WIRE CONNECTIONS REQUIRED TO CONNECT A BYPASS SWITCH ALLOWING THE SUPERCHARGER PREAMP TO BE REMOVED FROM THE SIGNAL CHAIN IN THE EVENT OF A BATTERY FAILURE OR IF NO VOLUME BOOST IS WANTED WHEN TAPPING THE PICKUPS.

THE BYPASS SWITCH AND P/P POTS ARE AVAILABLE FROM ALLPARTS MUSIC (800-327-8942). PART NUMBERS ARE LISTED BELOW.

- DPDT SWITCH PN (EP 0081-010 CHROME) (EP 0081-003 BLACK) (EP 0081-002 GOLD)
- 250K P/P POT PN (EP 0285-000)
- 500K P/P POT PN (EP 0286-000)

PLEASE READ BEFORE INSTALLING

TO SUCCESSFULLY INSTALL THE SUPERCHARGER YOU WILL NEED THE FOLLOWING TOOLS AND MISCELLANEOUS MATERIALS.

- SOLDERING IRON (SUGGEST 25 WATT)
- SOLDER
- FLUX
- 9 VOLT ALKALINE BATTERY
- 250K OR 500K PUSH/PULL POTS)
- DPDT MINI TOGGLE SWITCH (OPTIONAL)

CAUTION:
IF YOU ARE NOT COMFORTABLE INSTALLING THE SUPERCHARGER IT IS HIGHLY RECOMMENDED THAT YOU TAKE YOUR GUITAR TO A QUALIFIED REPAIR TECH TO HAVE THE INSTALLATION DONE. A WORKING KNOWLEDGE OF PROPER SOLDERING TECHNIQUES AND GENERAL GUITAR WIRING ARE REQUIRED TO SUCCESSFULLY COMPLETE THE INSTALLATION OF THE SUPERCHARGER.

HELPFUL INSTALLATION HINTS.
INSULATE ALL SOLDER JOINTS WITH HEAT SHRINK TUBING.
PRE-TIN WIRE ENDS BEFORE SOLDERING TOGETHER.
WRAP BATTERY IN INSULATING MATERIAL (FOAM ETC.) TO PREVENT IT FROM TOUCHING ELECTRONIC COMPONENTS.
GO TO WWW.ROWANGUITARS.COM FOR ADDITIONAL WIRING DIAGRAMS AND USEFUL INFORMATION TO HELP YOU GET THE MOST OUT OF THE SUPERCHARGER.



Garland, Texas
809 Meadowgate Drive, Garland, TX 75040
www.rowanguitars.com